

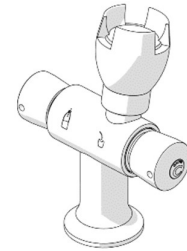
## Product Installation Guidelines

Version 1, 13<sup>th</sup> June 2023, Page 1 of 4

# Ezy-Drink® CP Lead Safe™ 2 in 1 Bottle Filler & Bubbler Hob Mount

## PRODUCT CODE

- 170.00.13.00



## SPECIFICATIONS

- 2 in 1 design with bottle filler and bubbler.
- Drinking taps are designed to operate at full mains pressure.
- The rubber mouthguard is resistant to fungal and bacterial attack and has a high resistance to sunlight.
- Vandal resistant push buttons.
- Adjustable built-in flow restrictor.

**IMPORTANT:** All Ezy-Drink® 2 in 1 taps are tested in accordance with AS/NZS 3718 and leave our premises in good working order.

\*As 'lead free' is not currently defined by law in Australia and New Zealand, we have based our definition of Lead Safe™ on the requirements of s1417 of the USA's Safe Drinking Water Act (SDWA) and the relevant US standards NSF61 / NSF372. The SDWA defines 'lead free' as "not more than a weighted average of 0.25% lead when used with respect to the wetted surface of pipes, pipe fittings, plumbing fittings and fixtures".

**WARNINGS:** Special attention to be paid on notes, photos, images, or drawings of assembly steps marked with the warning symbol.



## TECHNICAL DATA

Inlet	1/2" BSP Female	
Outlet	Rubber Mouthguard/Bottle Filler	
Headwork	Push Button	
Working Pressure Range (kPa)	Min	50
	Max	500
Working Temperature Range (°C)	Min	5
	Max	60
Nominal Flow Rate (LPM)	2.98	
Construction	Brass	
Finish	Chrome	

**NOTE:** Galvin Engineering continually strive to improve their products. Specifications may change without notice.

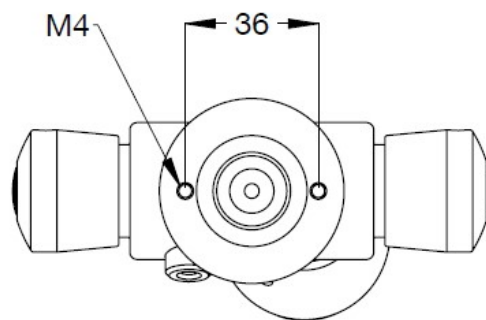
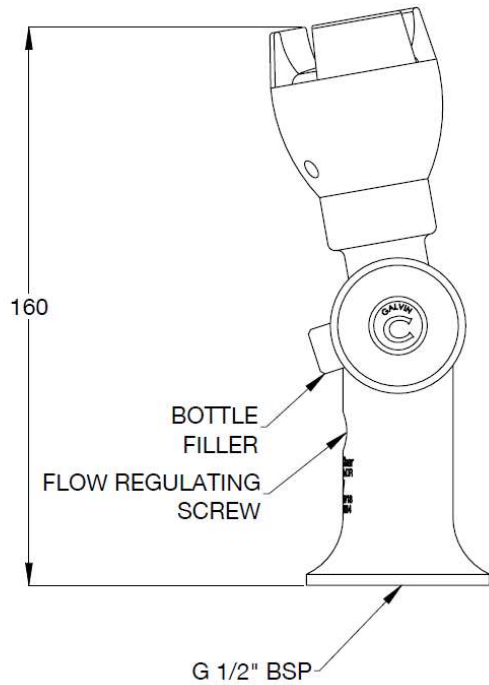
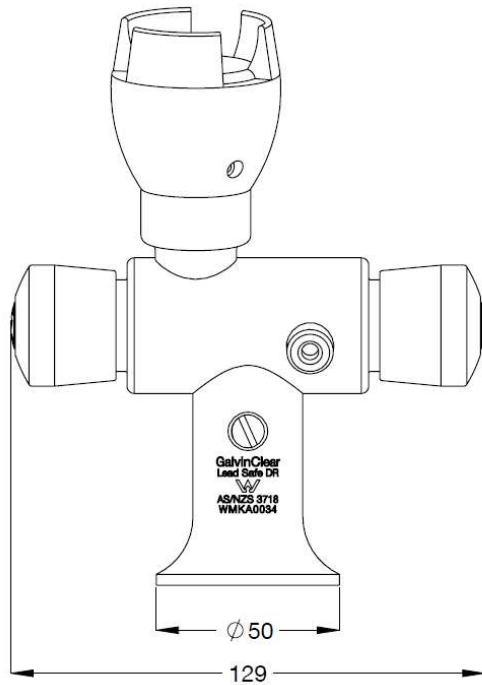
## TOOLS REQUIRED

- Power drill
- Wrench
- Screwdriver

**PRE-INSTALLATION**

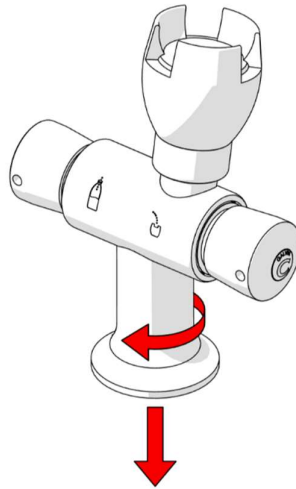
- Anti-rotation can be achieved (if required) by using the M4 holes in the flange.

**!** *Note: Before installation, all lines must be flushed.  
We recommend that a line strainer be installed prior to drinking taps to eliminate any foreign material.*



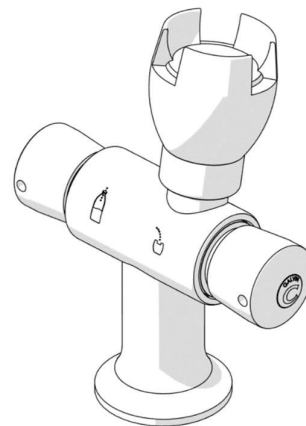
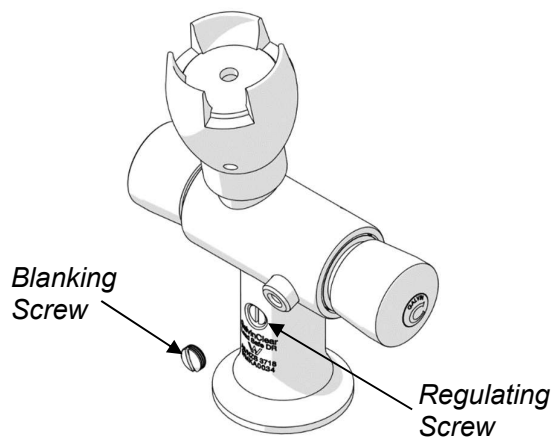
**INSTALLATION**

**INSTALLATION COMPLIANCE:** Galvin Engineering products must be installed in accordance with these installation instructions and in accordance with AS/NZS 3500, the PCA and your local regulatory requirements. Water and/or electrical supply conditions must also comply to the applicable national and/or state standards. Failing to comply with these provisions shall void the product warranty and may affect the performance of the product.




**1. Fit tap assembly**

- Fit the tap as shown above.
- When applying thread tape or sealant to the inlet, ensure the opening is not obscured. Failure to do so may restrict or block the flow restrictor, affecting the flow of water.



**2. Flow adjustment**

- To adjust water flow
  1. Remove the blanking screw
  2. Adjust the water flow by turning the regulator screw. Test both the bubbler water height and bottle filler flow.
  3. Replace blanking screw

 **Note: The full range from minimum flow to maximum flow is only ¼ turn**

**3. Testing**

Once the drinking tap has been installed, test for leaks and correct operation.

TROUBLESHOOTING		
PROBLEM	CAUSE	RECTIFICATION
Inconsistent flow	Blocked top assembly	Remove top assembly and clean
Water is not flowing from tap	Water is turned off	Turn on water
	Blocked flow regulating screw	Remove flow regulating screw and clean
Continuous flow	Top assembly loose or internally obstructed or damaged	Remove top assembly, clean with water and re-grease spindle if required
Rate of flow inadequate	The flow regulating screw may not be adjusted correctly	Remove blanking screw and adjust flow regulating screw as described
Button hard to press	The mains pressure may be too great	Reduce to below 500kPa (70PSI). Regrease spindle if required

## WARRANTY

The warranty set forth herein is given expressly and is the only warranty given by the Galvin Engineering Pty Ltd. With respect to the product, Galvin Engineering Pty Ltd makes no other warranties, express or implied. Galvin Engineering Pty. Ltd. hereby specifically disclaims all other warranties, express or implied, including but not limited to the implied warranties of merchantability and fitness for a particular purpose.

Galvin Engineering Pty Ltd products are covered under our manufacturer’s warranty available for download from [www.galvinengineering.com.au](http://www.galvinengineering.com.au) Galvin Engineering Pty Ltd expressly warrants that the product is free from operational defects in workmanship and materials for the warranty period as shown on the schedule in the manufacturer’s warranty. During the warranty period, Galvin Engineering will replace or repair any defective products manufactured by Galvin Engineering without charge, so long as the terms of the Manufacturer’s warranty are complied with.

The remedy described in the first paragraph of this warranty shall constitute the sole and exclusive remedy for breach of warranty, and Galvin Engineering Pty Ltd shall not be responsible for any incidental, special or consequential damages, including without limitation, lost profits or the cost of repairing or replacing other property which is damaged if this product does not work properly, other costs resulting from labour charges, delays, vandalism, negligence, fouling caused by foreign material, damage from adverse water conditions, chemical, electrical or any other circumstances over which Galvin Engineering has no control. This warranty shall be invalidated by any abuse, misuse, misapplication, improper installation or improper maintenance or alteration of the product.